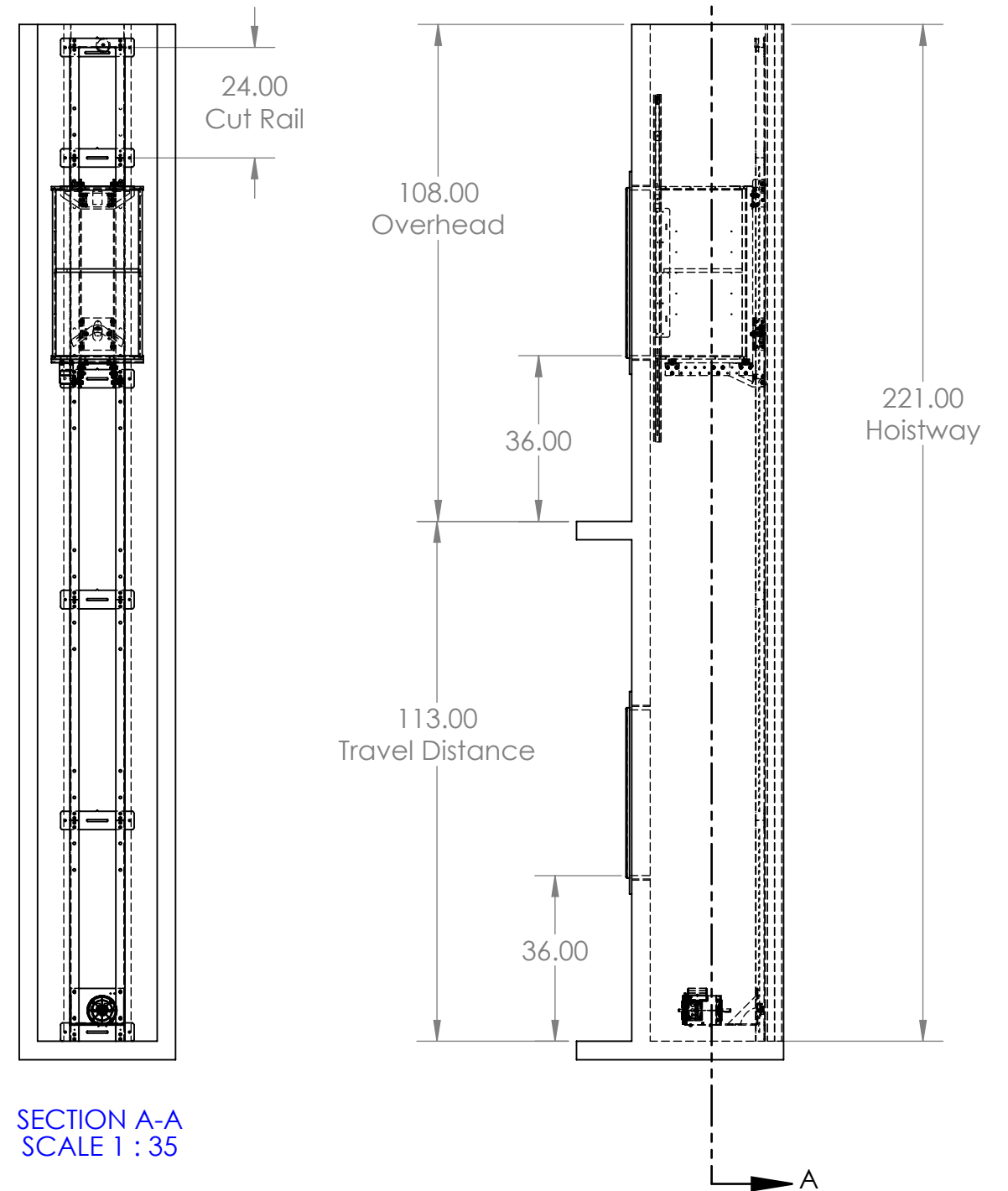
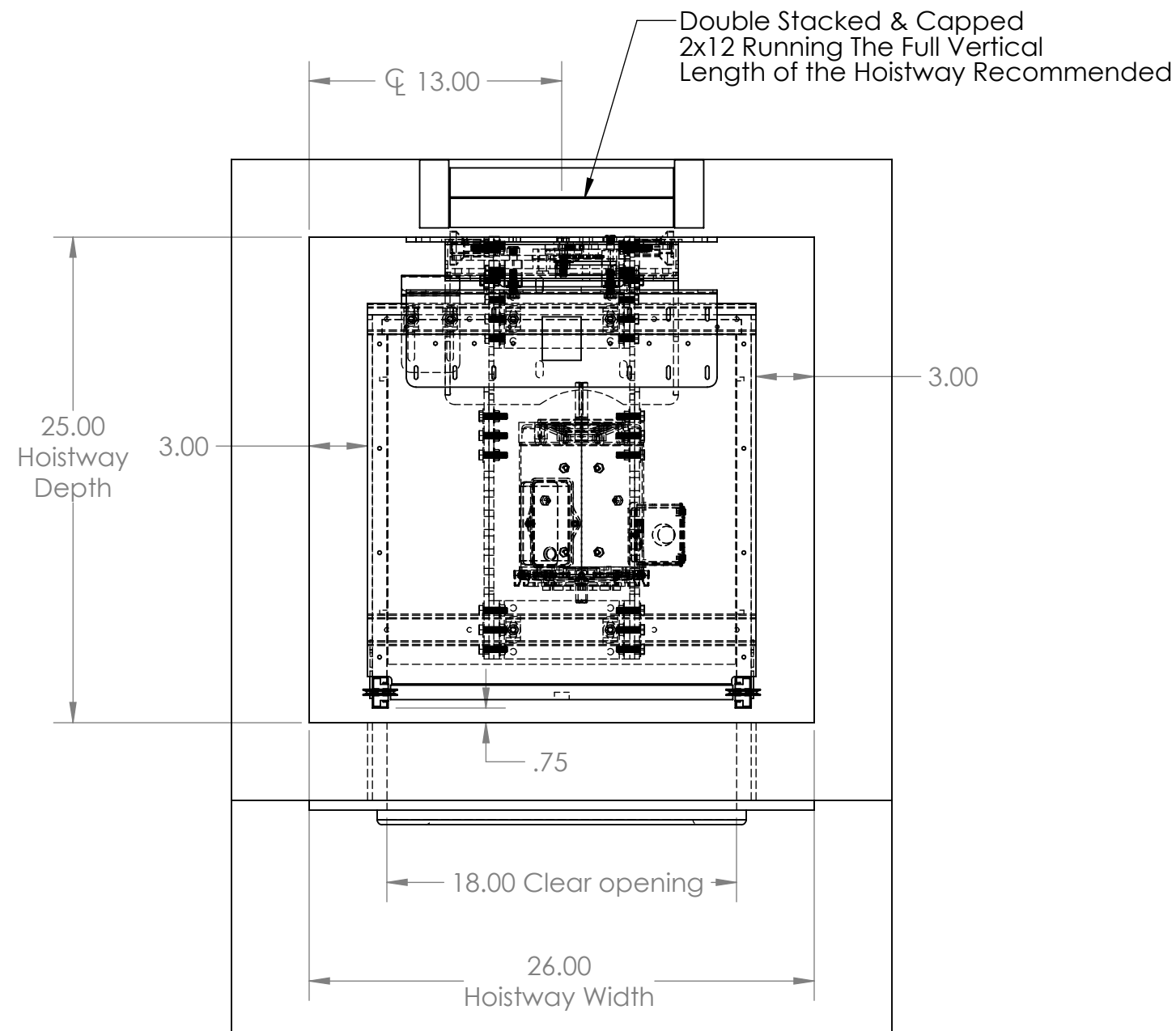


QS-200 Specifications

MODEL		QS-200
CAPACITY		200lbs
SPEED		32 FPM (Nominal)
DRIVE		SPROCKET DRIVEN GEAR MOTOR
DOOR LOCKS		HONEYWELL RELIALIGN ELECTROMECHANICAL INTERLOCKS
OPERATION		AUTOMATIC OPERATION, MANUAL DOORS
FINISH		White Laminate
ELECTRICAL REQUIREMENTS		CONTROLLER COMES EQUIPPED WITH A 120VAC PLUG/PIGTAIL. REQUIRES A DEDICATED CIRCUIT, 120VAC, 15AMP OUTLET WITHIN SIGHT OF THE LIFT. FOR JURISDICTIONS WHICH REQUIRE THE CONTROLLER TO BE HARDWIRED, HARD WIRE INTO APPROPRIATE DISCONNECTING MEANS.
CONTROL SYSTEM		PLC, RELAY, PLUG'N'PLAY FIELD WIRING
CODE		AMSE 17.1.7



	Cab Size	18 x 18 x 36	White Laminate	Single Opening	DO NOT SCALE DRAWING APPROVAL STATUS: <input type="checkbox"/> APPROVED <input type="checkbox"/> APPROVED AS NOTED <input type="checkbox"/> REVISE AND RESUBMIT SIGNATURE _____	NAME	DATE	PROJECT NAME	
	RH Locks	2	Bottom Mount	200lbs		DRAWN	JCE	5/29/20	PROJECT LOCATION
	LH Locks	0	Doors & Frames BY OTHERS			PROPRIETARY AND CONFIDENTIAL THE INFORMATION CONTAINED IN THIS DRAWING IS THE SOLE PROPERTY OF PRECISION LIFT INDUSTRIES, LLC. ANY REPRODUCTION IN PART OR AS A WHOLE WITHOUT THE WRITTEN PERMISSION OF PRECISION LIFT INDUSTRIES, LLC IS PROHIBITED.			COMMENTS:
						SIZE A DWG. NO. _____ REV. _____ SCALE 1:16 SHEET 1 OF 4			



Recommend Front Face of Hoistway Open for Installation



Cab Size	18 x 18 x 36	White Laminate	Single Opening
RH Locks	2	Bottom Mount	200lbs
LH Locks	0	Doors & Frames BY OTHERS	

DO NOT SCALE DRAWING	NAME	DATE	PROJECT NAME
	JCE	5/29/20	
APPROVAL STATUS:	PROPRIETARY AND CONFIDENTIAL THE INFORMATION CONTAINED IN THIS DRAWING IS THE SOLE PROPERTY OF PRECISION LIFT INDUSTRIES, LLC. ANY REPRODUCTION IN PART OR AS A WHOLE WITHOUT THE WRITTEN PERMISSION OF PRECISION LIFT INDUSTRIES, LLC IS PROHIBITED.		PROJECT LOCATION
APPROVED			COMMENTS:
APPROVED AS NOTED			
REVISE AND RESUBMIT			
SIGNATURE	SIZE	DWG. NO.	REV.
	A		
	SCALE 1:16		SHEET 2 OF 4